



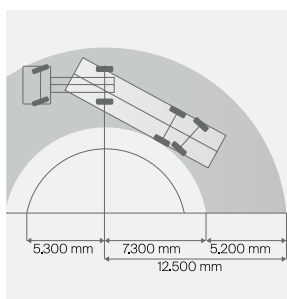
The box body semi-trailer S.KO CITY

# The manoeuvrable for delivery in city centres

Are you looking for a solution for urban transport? With the S.KO CITY you can deliver safely, even when things get tight. It is the right choice for inner-city distribution transport. Reliable and quiet cooling meets maximum manoeuvrability.

# Why is the S.KO CITY the best solution for you?

The steering axle of the S.KO CITY box body semi-trailer provides the necessary manoeuvrability for deliveries to food retailers in city centres. Narrow streets, access roads or loading yards are mastered with the mechanical forced-steering without any loss of time.



Manoeuvre easily and be safe on the road

The positively steered axle prevents tyres from rubbing in bends, reduces the turning circle required and simplifying manoeuvring in tight conditions.



Achieve potential savings with the mechanical steering axle



#### Time

The good manoeuvrability saves time when approaching loading yards.



#### Fuel

Lower tractive forces in bends reduces tyre resistance and saves fuel.



#### Tyre wear

Less heat development ensures a longer service life and extended tyre change intervals.



#### Maintenance costs

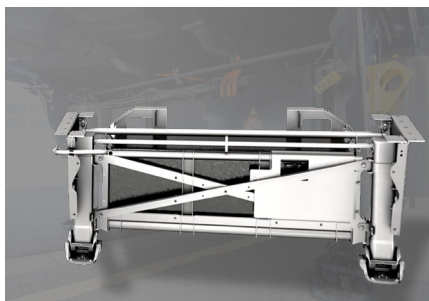
Avoidance of tyre damage on narrow roads and roundabouts thanks to the steering axle.

# S.KOe CITY: fully electric and manoeuvrable.

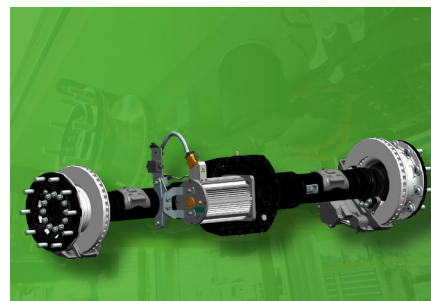
Emission-free delivery in the city centre thanks to fully electric cooling unit, high-voltage battery and generator axle. Environmentally friendly complete solution from a single source.



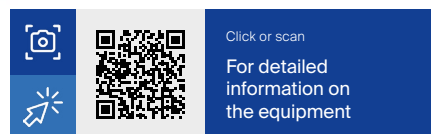
**SCU ep85\*** electric cooling unit with up to 15,800 watts of cooling power and 10,500 watts of heating power. The charging and battery management system ensures full practicality.



**Battery Power Pack\*** with a capacity of 32 kW/h. The lithium iron phosphate battery has a self-sufficient runtime of approx. 4.5 to 18 hours and requires approx. 2 hours for a full charge.



**The e-axle\*** recharges the high-voltage battery during the journey by regenerative and recuperative means, which extends the battery life and increases the availability of the all-electric cooling unit.



**The reversing camera\*** and **LED work lights\*** ensure additional safety and prevent damage when reversing, docking on ramps and manoeuvring.



**Airline floor\*** with optimised slip resistance and perforated strip for load securing: welded floor pan fulfils hygiene regulations, is quick to clean and saves time.



**Tail lift as rear end.** A double-wing rear door with a tail lift that can be folded forward or lowered is standard.

\*optional

# Distribution transport – customised and well thought-out.



Ex works in every  
**S.KO CITY**

**TrailerConnect® telematics** provides you with real-time data for greater transparency and efficiency in your fleet and supply chain. In the **TrailerConnect® portal**, you can manage all your fleet's telematics data centrally - across all manufacturers - on one platform.

With **Proactive Monitoring** for trailers and cooling units, you can plan maintenance appointments in advance and ensure maximum uptime.

**Predictive Maintenance** ensures early detection of potential cooling unit failures and smooth transport operations.

Monitor and **track load carriers** and loading equipment in real time with load carrier tracking to reduce loss and theft.

As a strong partner for your success, we provide you with transport solutions and services you can rely on, for greater economy, efficiency and transparency in your fleet and along the supply chain.

The **TrailerConnect® tyre pressure** monitoring system with **autolocation** assigns the integrated sensor to the correct tyre position in each case. The sensor learns independently and records tyre pressure and tyre temperature data.

This means efficient fleet management, intelligent scheduling, higher trailer availability and effective processes.

## Service contracts

Increase your uptime, create cost transparency and reduce your workload with **service contracts\*** for trailer, cooling units and tyres.

You can rely on:

## The Schmitz Cargobull premium services and the competent partner network.

- Customised financing and insurance from industry professionals
- Second Hand – First Class Used in tested quality
- TrailerConnect® Telematics and Digital Services for Smart Logistics
- Spare parts that pay off, for the time value fair repair
- Full Service for trailer, cooling unit and tyres
- Order Genuine Spare Parts online, delivery within 24h
- 1,400 Service Partners - your specialist workshop network
- 24h Cargobull Euroservice assistance across Europe

Click or scan

Find out more about our exclusive services here.

Do you have any further questions for us? We are happy to advise you!

T +49 (2558) 81-0  
[www.cargobull.com](http://www.cargobull.com)

\*All expandable with the Smart Service Package for digital services or modules, e.g. „National Service“